



Kent Airport Flagpole



Kent Airport Flag Pole KAFP 6000

Specify:

Specify: Kent Airport Flag Pole KAFP6000; 6000mm tall; 101 Diameter; Grade 316L Stainless Steel; Bright Satin Finish; Surface Mounted.

The Kent Flag Pole is constructed from Grade 316L Stainless Steel. The external finish of the pole is a Bright Satin. The high quality flag poles offer a high quality finish, with all welded ends ground and polished and a fixed base plate as standard.

Features:

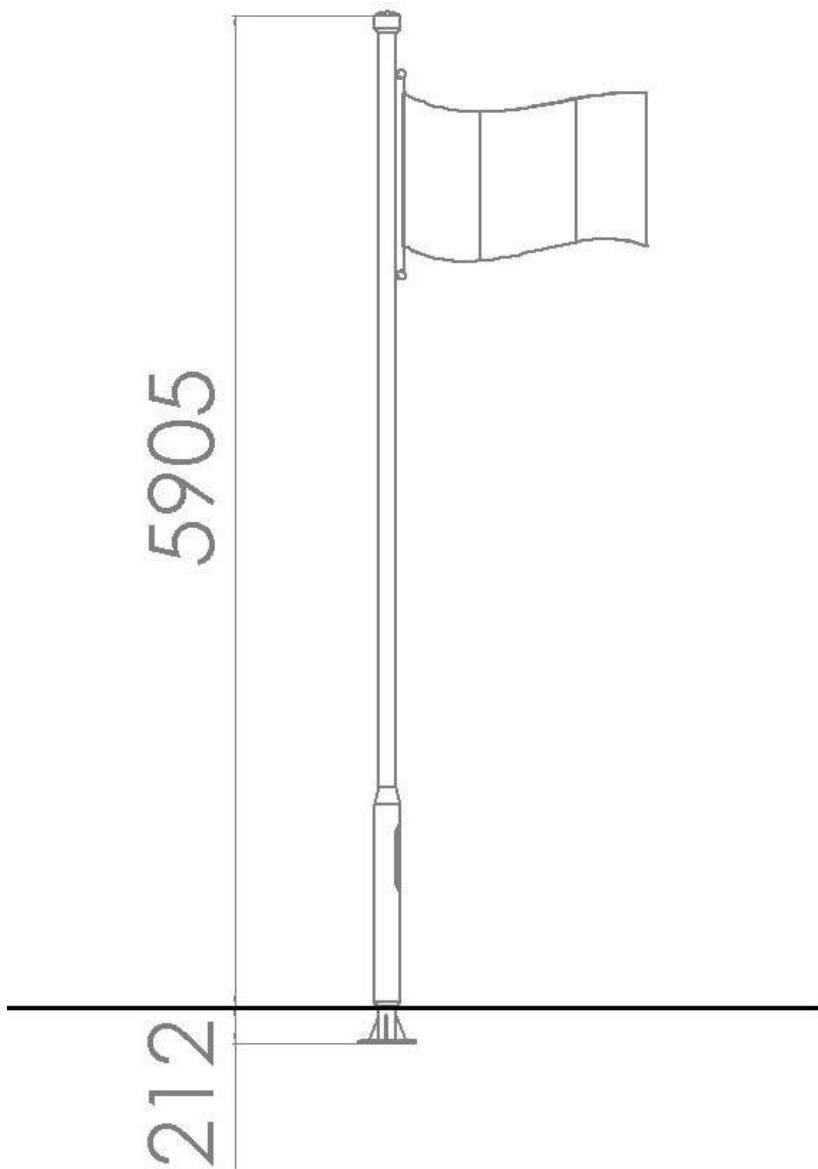
- All welded ends
- Grade 316 stainless steel 3mm thick throughout
- Integrated horizontal fixing bars



Kent Airport Flag Pole KAFP 6000

Product Dimensions:

Reference	Height	Diameter
Kent Airport Flag Pole KAFP 6000	6000mm	100mm



Kent Airport Flag Pole KAFP 6000

Overview

The Kent Airport Flag Pole KAFP 6000 is constructed from 316-grade stainless steel. The external finish of the pole is a satin finish 320 grit polished. Despite the materials corrosion resistant properties some care is required to maintain a bright appearance. The conditions that the pole is in (Inland or Coastal area), will greatly increase its need for cleaning and care.

Maintenance

How often?

For an area that receives regular rainfall that washes away the build up of salt deposits, cleaning should be done once a year. If rainfall cannot get to certain areas, but still salt and pollution deposits can blow onto it (e.g. the underside of a tram shelter) then cleaning should be done 1-2 times a year in urban environments and 3-4 times a year in marine environments. In a particularly severe environment with pollution and salt deposits and wind with little rainfall, cleaning should be done 4-12 times per year.

Judge your cleaning regime by the nearby glass panels or window cleaning and clean the stainless as often as the glass nearby.

How do I do it?

For regular cleaning, and for a preventative regime, a simple wipe down by soft cloth or sponge with a mild detergent is enough (e.g. 5% dilution of wash-up liquid). Rinse off with de-ionised water or bottled drinking water is fine if this is not readily available. Rub dry with a clean dry cloth rather than letting the product drip dry.

If staining does not disappear, switch the soft cloth to a pad of Scotchbrite™ from 3M™. Use the soapy water with Scotchbrite™ vigorously on areas that are unpolished or not architecturally important. For polished areas of products with a grain (e.g. Satin Finish 320 Grit Polish), rub gently forwards and backwards only in the direction of the grain direction so proceed with caution if this is an architecturally important feature.

Again – rinse with de-ionised water and dry with a soft cloth. For heavier staining or contamination by iron products Kent recommend Avesta cleaning chemicals. Cleaner Avesta 401™ can be used instead of the mild detergent as above. Avesta 420™ Fingerprint remover is a good cleaner to for areas prone to public fingerprints – it must be sprayed on and rubbed in while wet.

Pickling Gel Avesta 130™ (hazardous) and Passivator Avesta 630™ can be used for large, important features, but these should be discussed and a method statement is available from Kent Stainless for their use. This work can be sub-contracted to Mister Stainless™ in Ireland and Edimex™ in Dubai.

**Kent Airport
Flag Pole
KAFP 6000**

