

# Kent Hidden Fixing Corner Guard



  
**Kent**  
STAINLESS

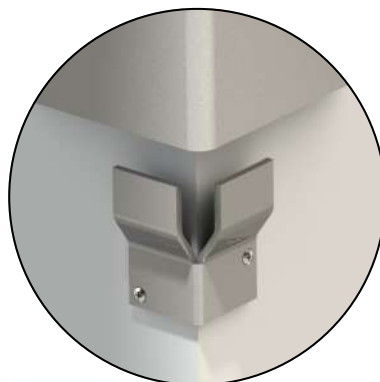
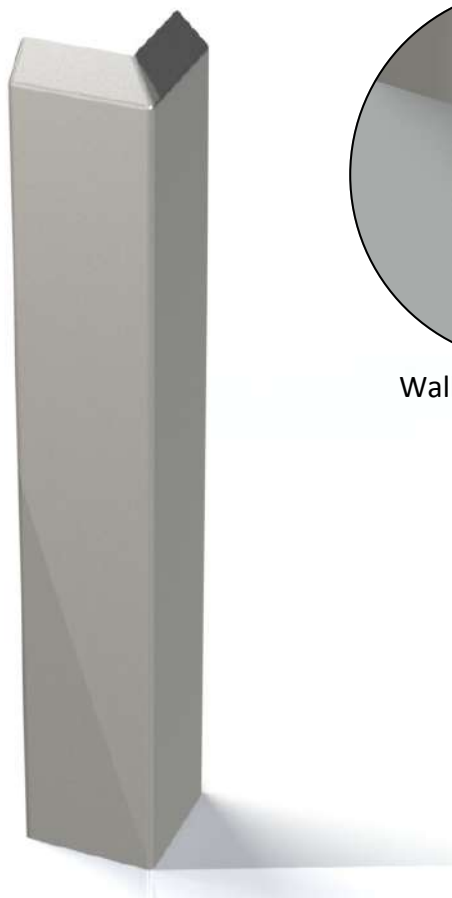
Kent Hidden Fixing Corner Guard (KHCG-80) has a 3 cornered profile which provides maximum protection, stability and rigidity whilst the raised edges ensure a smooth flush finish to tiled or other surfaces.

This can stand proud off the corner or tiled surfaces, or manufactured to be flush with the tiled surface.

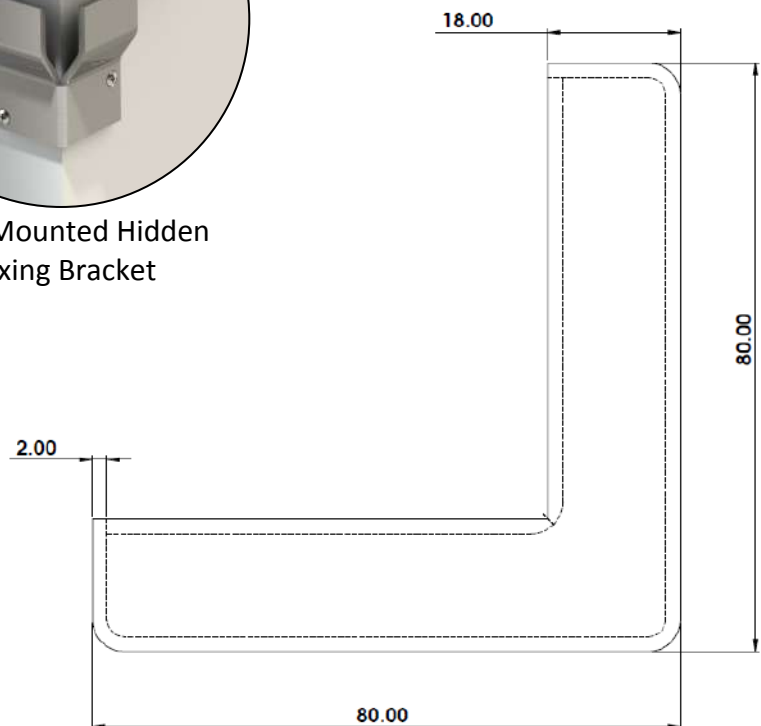
The top edge is chamfered as standard. It can also be closed off horizontally for when adjacent to a ceiling.

**Features:**

- 2mm or 3mm thick steel
- Satin finish 320 Grit polished
- Grade 304L stainless steel
- Easy to maintain & clean
- 2 brackets per 1000mm



Wall Mounted Hidden Fixing Bracket



| Product Code               | Length | Wing A | Wing B |
|----------------------------|--------|--------|--------|
| Kent Corner Guard KHCG 50  | 1000mm | 50mm   | 50mm   |
| Kent Corner Guard KHCG 60  | 1000mm | 60mm   | 60mm   |
| Kent Corner Guard KHCG 75  | 1000mm | 75mm   | 75mm   |
| Kent Corner Guard KHCG 80  | 1000mm | 80mm   | 80mm   |
| Kent Corner Guard KHCG 100 | 1000mm | 100mm  | 100mm  |

\*Up to 3000mm available

## Specify

**Choose your steel:**  
Grade 304L Stainless steel  
Grade 316L Stainless steel

**Customise your size, or go with our standard**  
1000mm x 50mm x 50 mm  
(See size chart on **page 1** for dimensions)

**Specify:**  
Kent Hidden Fixing Corner Guard (KHCG 80); Grade 304L Stainless Steel; L:1000mm, A: 80mm, B:80mm; 2mm Thick Steel; Satin Finish 320 Grit Polish;

**Choose your thickness:**  
2mm  
3mm

## Maintenance of Stainless Steel

Clean the stainless steel components using warm water with a mild detergent with a non-abrasive cloth or sponge. Heavier stains may require the use of a nylon-scouring pad or a stainless steel cleaner.

To remove paint or graffiti use a cloth and Alkaline or solvent paint strippers according to type of paint. In the case of a bead blasted finish, where abrasive cleaning is required, always use a random circular rubbing action with a cloth.

In the case of brushed finishes the surface consists of uniform fine 'scratches' running in one direction so where abrasive cleaning is required always use a straight back and forward rubbing action in the direction of the grain using soap and warm water.

Rust spots or 'tea stains' can occur on the surface of the material, these are normally caused by contamination from ordinary mild steel, particularly in areas where construction work has been undertaken. Such stains can be removed using Rust Remover 410.

In cases where the surface is severely stained because of severe environmental conditions or scratched due to misuse, it may still be possible to restore the original finish using chemicals such as Oxalic Acid solution. There are many stainless steel polishes available to enhance the surface finish.



**Kent Stainless Ltd**

Ardcavan, Wexford, Ireland

**TEL NO:** +353 53 9143216  
**UK FREEPHONE:** 0800 376 8377  
**FAX:** +353 53 9141802  
**WEB:** [www.kentstainless.com](http://www.kentstainless.com)  
**EMAIL:** [info@kentstainless.com](mailto:info@kentstainless.com)

