



SPHERE ANTI SKATEBOARD STUD



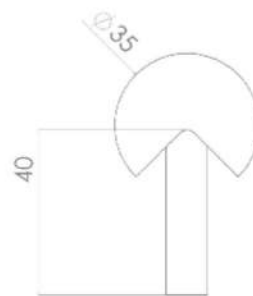
Kent Sphere Anti Skateboard Stud KSASS/35

Specify:

Kent Sphere Anti Skate Studs KSASS/35/R15; Grade 316L Stainless Steel; Cold Rolled Electropolished.

Kent Sphere anti skateboard studs are used to deter unwanted skateboarding in order to prevent damage to street furniture and stonework elements. The studs eliminate the long continuous edge of many street furniture and stone products.

The stainless steel material is ideal for high-traffic pedestrian areas and does not adversely affect the aesthetics of the elements they are protecting.



Features

- Electropolished finish
- Grade 316L Stainless Steel
- Easy installation

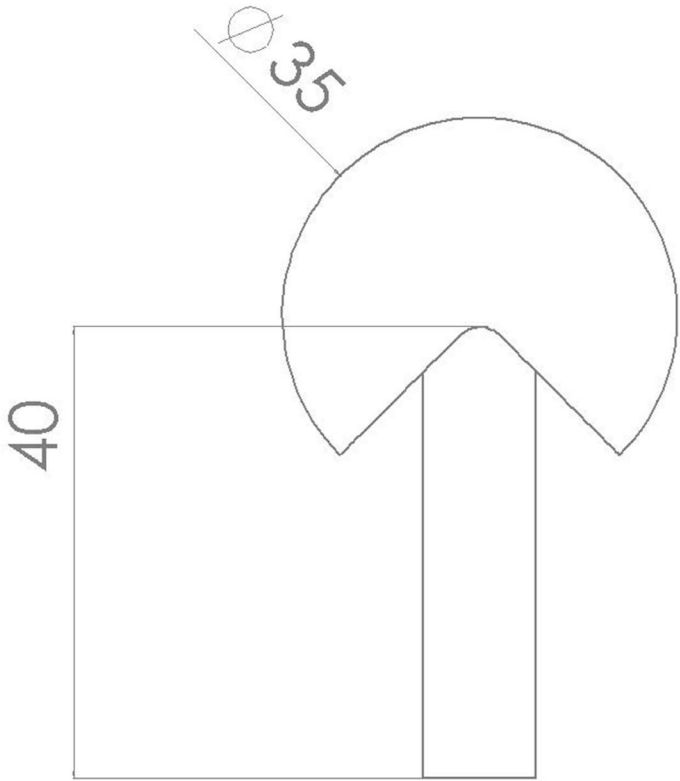


Kent Sphere Anti Skateboard Stud KSASS/35



Product Dimentions:

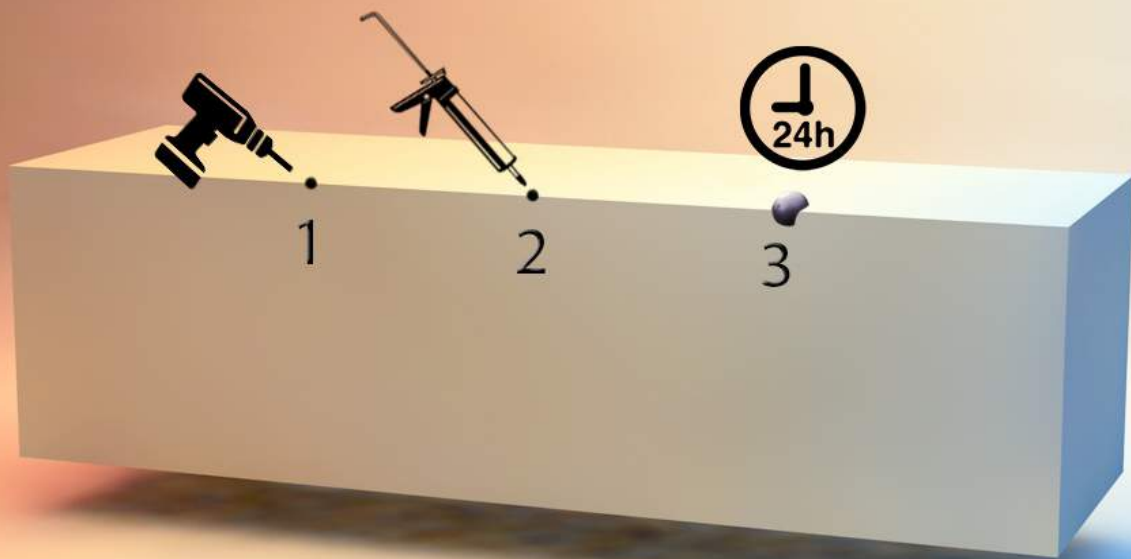
Reference	Height	Diameter
Kent Sphere Anti Skate Board Stud KSASS/35	57.5mm	35mm



Kent Sphere Anti Skateboard Stud KSASS/35

Installation:

1. Drill 15mm diameter hole by 40mm deep.
2. Fill with chemical mortar (Kent Stainless recommend Mungo MIT-SE Plus)
3. Insert the anti skate board stud and leave to set for 24 hours.



Product Options:

Specify:
Kent Sphere Anti Skate Studs KSASS/35/R15; Grade
316L Stainless Steel; Cold Rolled Electropolished.

Grade
316L
304L
303

Cold Rolled Electro Polished
Satin Finish 320 grit
Shot Peened
Bright Peened



Kent Sphere Anti Skateboard Stud KSASS/35

Overview

Kent Sphere anti skateboard studs are used to deter unwanted skateboarding in order to prevent damage to street furniture and stonework elements. The studs eliminate the long continuous edge of many street furniture and stone products.

Maintenance

Stainless Steel:

Clean the stainless steel components using warm water with a mild detergent with a non-abrasive cloth or sponge. Heavier stains may require the use of a nylon-scouring pad or a stainless steel cleaner. To remove paint or graffiti use a cloth and Alkaline or solvent paint strippers according to type of paint. In the case of a bead blasted finish, where abrasive cleaning is required, always use a random circular rubbing action with a cloth. In the case of brushed finishes the surface consists of uniform fine 'scratches' running in one direction so where abrasive cleaning is required always use a straight back and forward rubbing action in the direction of the grain using soap and warm water. Rust spots or 'tea stains' can occur on the surface of the material, these are normally caused by contamination from ordinary mild steel, particularly in areas where construction work has been undertaken. Such stains can be removed using Rust Remover 410. In cases where the surface is severely stained because of severe environmental conditions or scratched due to misuse, it may still be possible to restore the original finish using chemicals such as Oxalic Acid solution. There are many stainless steel polishes available to enhance the surface finish. We recommend Mister Stainless Ltd. as a provider for stainless steel cleaning products.

Kent Sphere Anti Skateboard Stud KSASS/35

Can be incorporated onto the full range of Kent
Stainless seats and benches.





**Kent Sphere Anti
Skateboard Stud KSASS/35**

