



KSBC KVCRP Pop Up Drain - Channel Trench Drain

The **KSBC450/ KVCRP400/4"/4"** is an amalgamation of a trench drain or channel with 2 sealed pneumatic drain outlets. It can be used to temporarily contain a valuable, or a hazardous liquid, before diverting that liquid to a sump. Then the 2nd outlet is opened for washdown and diverting to the foul water drainage.

The pneumatic connection is accessed from **inside** the drain body. A flange supplied by Kent is mechanically connected to the inward air pipe. A second flange is connected to the internal air pipe and these come together to form a double flange/gasket connection.

There are 3 options for the pneumatic valve choice and each outlet can be set to operate independantly:

Single Acting Sprung Out Cylinder

Air supply required **to close the drain** and exhausted to allow the cover to open using an internal spring. This system is generally used when the drains are connected to the fire suppression system. In the event of the air supply system failing the covers will open.

Single Acting Sprung In Cylinder

Air supply required **to open the drain** and exhausted to allow the cover to close using an internal spring. This system is generally used in clean production areas. In the event of the air supply system failing the covers will remain sealed.

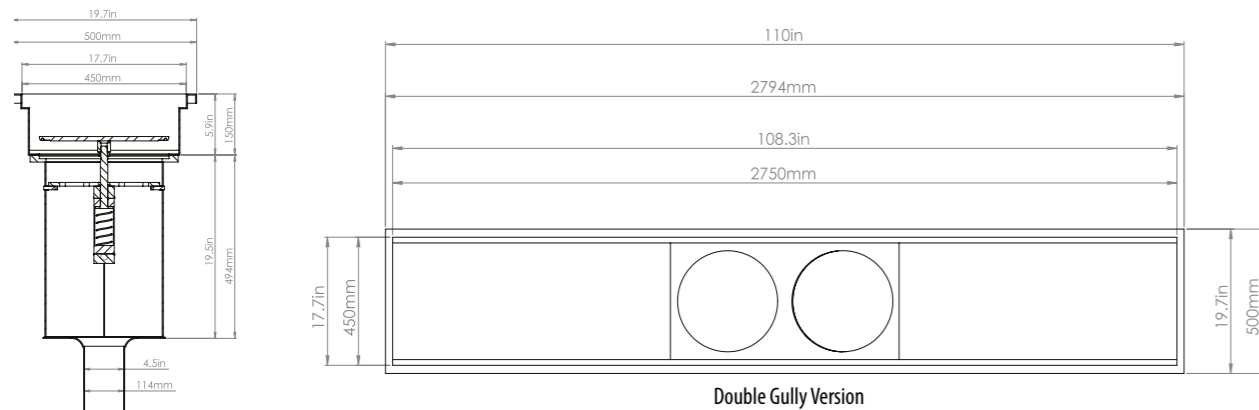
Double Acting Cylinder

Air supply is required **to both open and close the drain**, this system is generally used when drains are to be opened for cleaning / wash down cycles. Constant air supply required to keep the cover sealed.

The Trench Drain can come also with a side outlet gully and can be changed to a 6" outlet. Occasionally also it is ordered as a Dual Skinned or Double Contained Channel Trench Drain.

INDUSTRIES

- BioPharma
- Pharmaceutical
- Laboratories



Product Code	Channel Start Depth	Channel Width	Gully Outlet	Flow Rate US GPM
KSBC450/KVCRP400/4"/4"	5.9in (150mm)	17.7in (450mm)	4" SCH10 x 2	126.8 GPM (6.17 l/s) x 2
KSBC450/KVCRP400/6"/6"	5.9in (150mm)	17.7in (450mm)	6" SCH10 x 2	317 GPM (20.0 l/s) x 2



Activated by Control Room

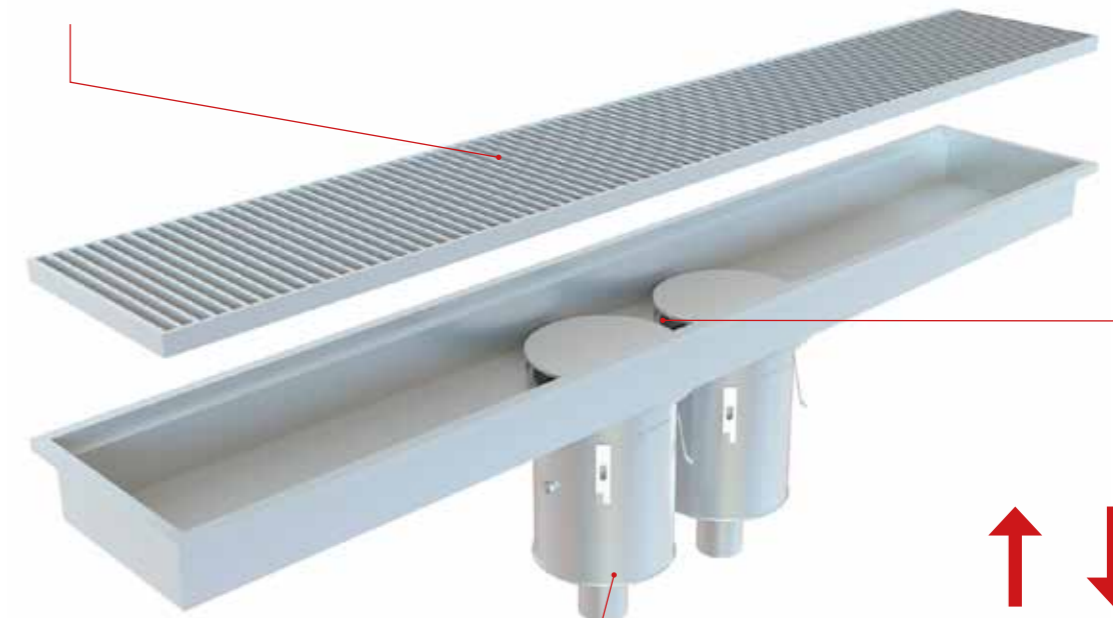


Activated by Sprinkler System

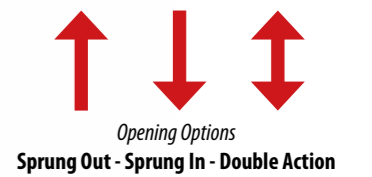


Activated by Wall Mounted Rotary Switch

Typical Ladder Grating used 17.7" (450mm) wide x 1" deep (25mm) made from 2" x 0.2" (50mm x 5mm) flat bar



1.57" (40mm) clear opening under cover



Bottom Outlet Push Fit (standard)



Bottom Outlet Threaded (optional)



KVCRP Bottom Outlet



KHCRP Side Outlet



Bottom Outlet 4" 150lb R/F S/O ANSI Flange



Bottom Outlet With P Bend Trap



Side Outlet With Running Trap for side outlets